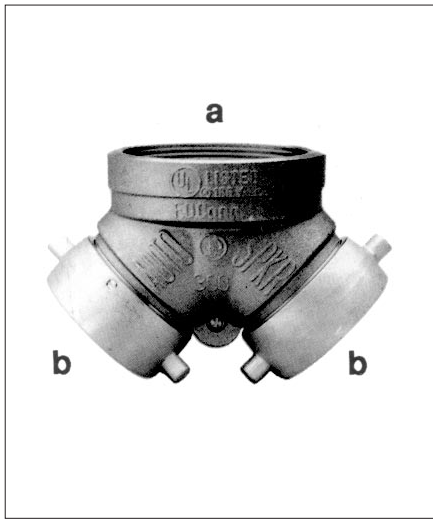




Siamese

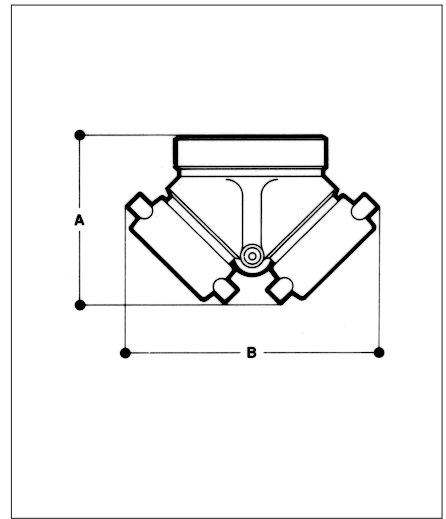


A95

STRAIGHT SINGLE CLAPPER TWO-WAY INLETS

An exposed auxiliary inlet connection with 500 G.P.M. inlet capacity to supplement fire protection water supply. Exposed design provides an economical method of satisfying Fire Dept. inlet requirements.

Standard equipment :
Cast brass two-way inlet body only with single swing clapper and pin or rocker lug hose thread swivel ; straight NPT outlet connection..



Branding :
"AUTO SPKR"

Optional Finishes :
RP - Red Painted

a	b
4"	2 1/2"

SPECIFY THREAD

	4" x 2 1/2"
A	5 33/64"
B	8 5/64"

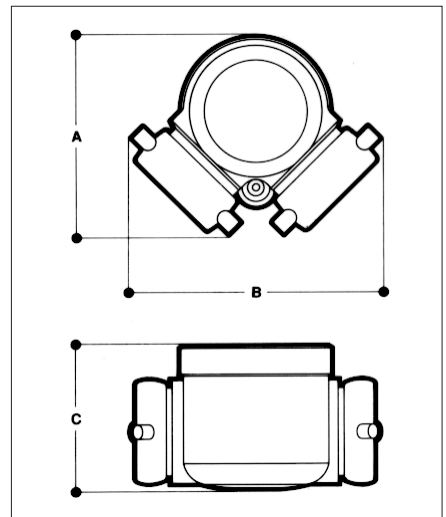


A96

90° SINGLE CLAPPER TWO-WAY INLETS

An exposed auxiliary inlet connection with 500 G.P.M. inlet capacity to supplement fire protection water supply. Exposed design provides an economical method of satisfying Fire Dept. inlet requirements.

Standard equipment :
Cast brass two-way inlet body only with single swing clapper and pin or rocker lug hose thread swivel ; angle NPT outlet connection..



Branding :
"AUTO SPKR"

Optional Finishes :
RP - Red Painted

a	b
4"	2 1/2"

SPECIFY THREAD

	4" x 2 1/2"
A	6 5/16"
B	7 11/16"
C	4 3/4"